

CHENXI

OUTDOOR PRODUCTS

2024 CATALOG

Steel & Aluminum Picatinny Rails

Remington 700 and Savage 110 and Winchester 70 and Howa 1500



Long action



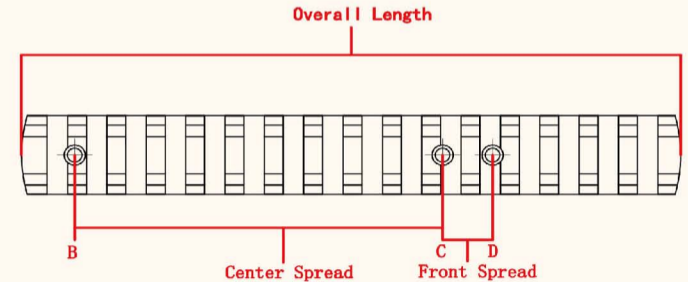
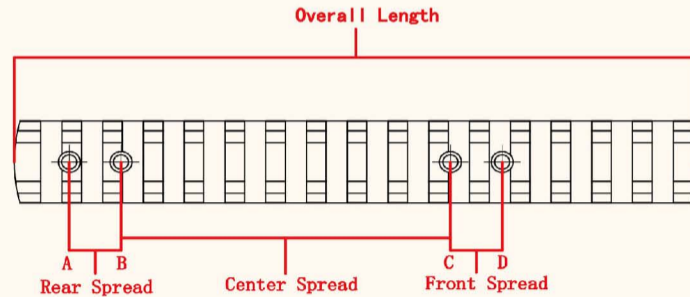
Short action



Side View

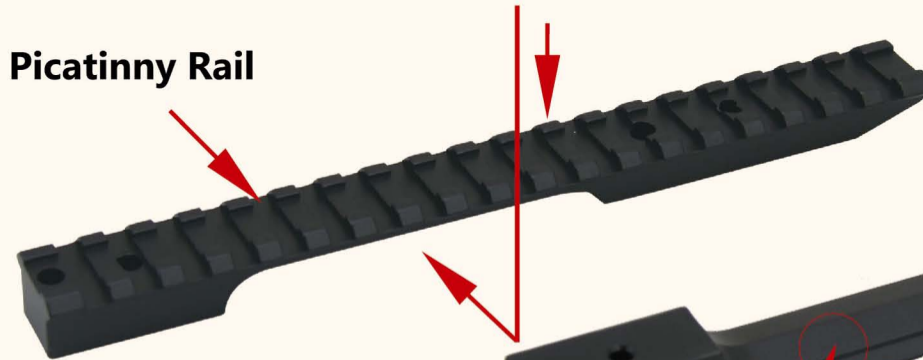


Bird View



Precision Cut

Picatinny Rail



Right hand



Left hand

Unique design, right hand & left hand!!



Gun Screws #6-48 UNF

Model	Material	Overall Length (mm)	C to C Distance (mm)			Model	Material	Screws per Unit	Designed For	Finish
			AB	BC	CD					
MNT-1509	T6 Alum.	155.50	14.30	108.00		S-1509	Steel	0	Picatinny Rail to accept STANAG diemensions	Matte
MNT-BRN BAR	T6 Alum.	150.00		92.20	21.84	S-BRN BAR	Steel	4	Browning Bar	Matte
MNT-BRN BLR LAUH	T6 Alum.	130.00	12.70	80.95	12.70	S-BRN BLR LAUH	Steel	4	Browning Lever Action, Long Action,0 moa	Matte
MNT-BRN BLR SAUH	T6 Alum.	130.00	12.70	71.40	12.70	S-BRN BLR SAUH	Steel	4	Browning Lever Action, Short Action,0 moa	Matte
MNT-BRN BLR STLA	T6 Alum.	180.00	39.20	76.00		S-BRN BLR STLA	Steel	3	Browning BLR Scout Style, long action. Take-down	Matte
MNT-BRN BLR STSA	T6 Alum.	180.00	39.20	100.00		S-BRN BLR STSA	Steel	3	Browning BLR Scout Style, short action. Take-down	Matte
MNT-BRNXBLAUH	T6 Alum.	187.85	17.78	93.85	17.78	S-BRNXBLAUH	Steel	8	Browning X-Bolt, long action, right & left hand	Matte
MNT-BRNXBLAUH20	T6 Alum.	187.85	17.78	93.85	17.78	S-BRNXBLAUH20	Steel	8	Browning X-Bolt, long action, right & left hand, 20moa	Matte
MNT-BRNXBSAUH	T6 Alum.	167.85	17.78	74.70	17.78	S-BRNXBSAUH	Steel	8	Browning X-Bolt, short action, right & left hand	Matte
MNT-BRNXBSAUH20	T6 Alum.	167.85	17.78	74.70	17.78	S-BRNXBSAUH20	Steel	8	Browning X-Bolt, short action, right & left hand,20moa	Matte
MNT-BRNXBSSA	T6 Alum.	147.50	17.70	71.70	17.70	S-BRNXBSSA	Steel	8	Browning X Bolt Super Short Action	Matte
MNT-BRNXBSSA20	T6 Alum.	147.50	17.70	71.70	17.70	S-BRNXBSSA20	Steel	8	Browning X Bolt Super Short Action,20moa	Matte
MNT-HOWA LAUH	T6 Alum.	176.00	15.24	113.79	21.93	S-HOWA LAUH	Steel	4	Howa 1500 Long action right and left hand	Matte
MNT-HOWA LAUH 20	T6 Alum.	176.00	15.24	113.79	21.93	S-HOWA LAUH 20	Steel	4	Howa 1500 Long action right and left hand 20moa	Matte
MNT-HOWA MAUH	T6 Alum.	138.00	15.24	80.01	21.93	S-HOWA MAUH	Steel	4	Howa 1500 Mini action right and left hand	Matte
MNT-HOWA MAUH 20	T6 Alum.	138.00	15.24	80.01	21.93	S-HOWA MAUH 20	Steel	4	Howa 1500 Mini action right and left hand 20moa	Matte
MNT-HOWA SAUH	T6 Alum.	162.30	15.24	98.55	21.93	S-HOWA SAUH	Steel	4	Howa 1500 Short action right and left hand	Matte
MNT-HOWA SAUH 20	T6 Alum.	162.30	15.24	98.55	21.93	S-HOWA SAUH 20	Steel	4	Howa 1500 Short action right and left hand 20moa	Matte
MNT-REM700LAUH(leo)	T6 Alum.	167.50	15.70	113.80	21.90	S-REM700LAUH(leo)	Steel	4	REM700 Long action right and left hand	Matte

Available in 20moa, 30moa, 45moa

Model	Material	Overall Length (mm)	C to C Distance (mm)			Model	Material	Screws per Unit	Designed For	Finish
			AB	BC	CD					
MNT-REM700SAUH(leo)	T6 Alum.	167.50	15.70	91.95	21.89	S-REM700SAUH(leo)	Steel	4	Browning Bar	Matte
MNT-REM700L	T6 Alum.	200.00	15.70	113.80	21.90	S-REM700L	Steel	4	REM700 Long action right and left hand	Matte
MNT-REM700L 20	T6 Alum.	200.00	15.70	113.80	21.90	S-REM700L 20	Steel	4	REM700 Long action right and left hand 20moa	Matte
MNT-REM700S	T6 Alum.	200.00	15.70	91.95	21.90	S-REM700S	Steel	4	REM700 Short action right and left hand	Matte
MNT-REM700S 20	T6 Alum.	200.00	15.70	91.95	21.90	S-REM700S 20	Steel	4	REM700 Short action right and left hand 20moa	Matte
MNT-SAV AXIS	T6 Alum.	162.00	21.80	109.70	21.80	S-SAV AXIS	Steel	4	Savage AXIS	Matte
MNT-SAV110L	T6 Alum.	200.00	21.80	117.60	21.90	S-SAV110L	Steel	4	SAV110 Long action right and left hand	Matte
MNT-SAV110L 20	T6 Alum.	200.00	21.80	118.60	21.90	S-SAV110L 20	Steel	4	SAV110 Long action right and left hand 20moa	Matte
MNT-SAV110S	T6 Alum.	200.00	22.10	100.05	22.10	S-SAV110S	Steel	4	SAV110 Short action right and left hand	Matte
MNT-SAV110S 20	T6 Alum.	200.00	22.10	100.05	22.10	S-SAV110S 20	Steel	4	SAV110 Short action right and left hand 20moa	Matte
MNT-WIN XPR LAUH	T6 Alum.	180.00	21.84	98.11	21.90	S-WIN XPR LAUH	Steel	4	Winchester XPR Long Action 0 moa	Matte
MNT-WIN XPR LAUH 20	T6 Alum.	180.00	21.84	98.11	21.90	S-WIN XPR LAUH 20	Steel	4	Winchester XPR Long Action 20 moa	Matte
MNT-WIN XPR SAUH	T6 Alum.	170.00	21.84	84.86	21.90	S-WIN XPR SAUH	Steel	4	Winchester XPR Short Action 0 moa	Matte
MNT-WIN XPR SAUH 20	T6 Alum.	170.00	21.84	84.86	21.90	S-WIN XPR SAUH 20	Steel	4	Winchester XPR Short Action 20 moa	Matte
MNT-WIN70L	T6 Alum.	200.00	21.80	96.60	21.80	S-WIN70L	Steel	4	WIN70 Long action right and left hand	Matte
MNT-WIN70S	T6 Alum.	200.00				S-WIN70S	Steel		WIN70 Short action right and left hand	Matte
MNT-RUG M77 MK2 LAUH	T6 Alum.	146.00	X	X	X	S-RUG M77 MK2 LAUH	Steel	4	Ruger M77 Mk2,long action	Matte
MNT-RUG M77 MK2 SAUH	T6 Alum.	138.00	X	X	X	S-RUG M77 MK2 SAUH	Steel	4	Ruger M77 Mk2,short action	Matte

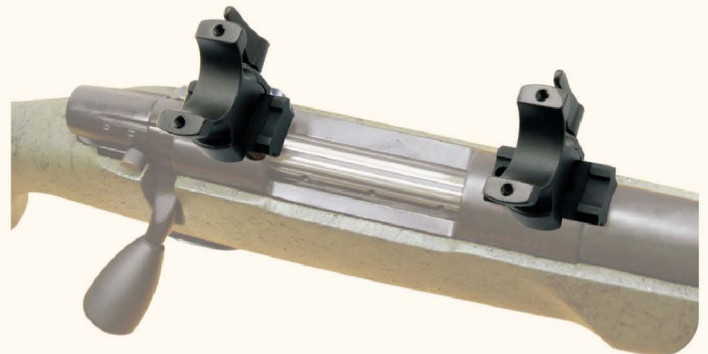
Available in 20moa, 30moa, 45moa

2-Piece Picatinny Scope Base

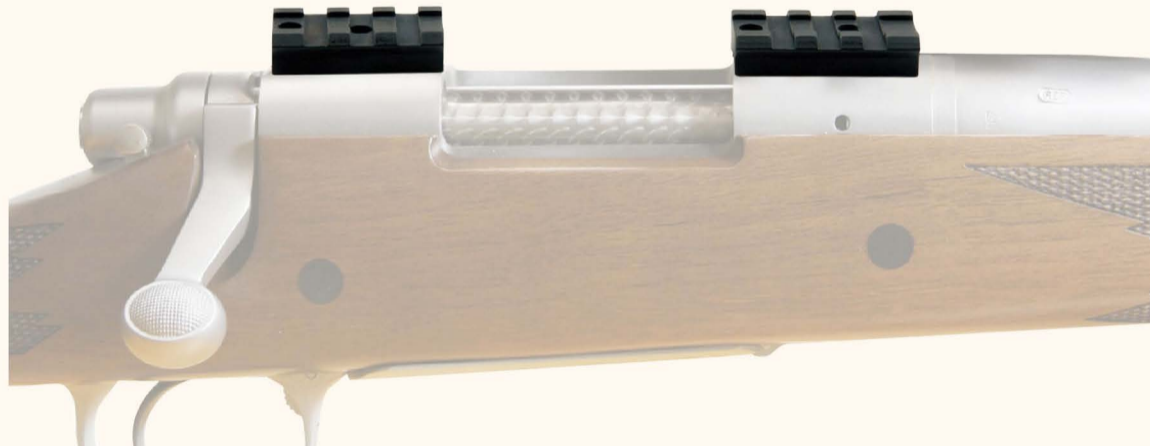
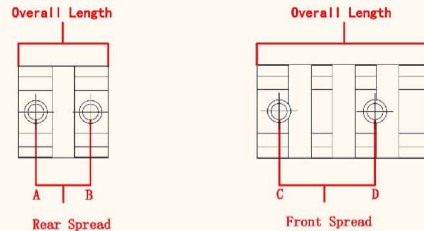


Gun Screws
#6-48 UNF

- ◆ Two-piece construction bases provide rings a solid and firm mount to your firearm without adding unnecessary weight.
- ◆ Picatinny rail Bases are matched with your choice of rings style in low, medium and high profile.
- ◆ Bases are precision fit and won't move under heavy recoil.



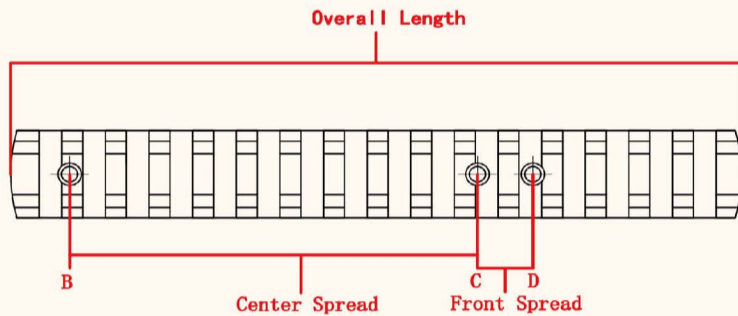
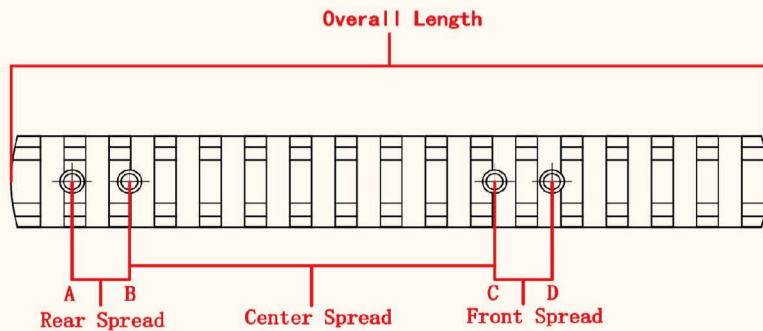
Picatinny Rail



Model	Material	Overall Length (mm)		C to C Distance (mm)		Model	Material	Screws per Unit	Compatible For	Finshi
		Front	Rear	Front	Rear					
PB-REM101	Steel	40.49	37.34	21.84	15.37	AB-REM101	T6 Alum.	4	Remington 700 L/A & S/A, 40X, 78,721,725	Matte
PB-ASZ101	Steel	36.96	21.84	12.70	12.70	AB-ASZ101	T6 Alum.	4	Anschutz 54,64,153,1400,1500	Matte
PB-BRN101	Steel	39.12	40.01	21.84	21.84	AB-BRN101	T6 Alum.	4	Browning A-Bolt L/A & S/A, A-Bolt.22	Matte
PB-BRN102	Steel	39.12	30.73			AB-BRN102	T6 Alum.	4	Browning A-Bolt WSSM	Matte
PB-CLT101	Steel	36.07	36.07	21.84	21.84	AB-CLT101	T6 Alum.	4	Colt Sauer,Sauer 90,200 (Sigarms)	Matte
PB-MAU101	Steel	39.62	20.83	21.84	12.70	AB-MAU101	T6 Alum.	4	FN mauser Actions.Colt 57, Interarms Mark X, Marlin 455, Weatherby FN Actions	Matte
PB-REM102	Steel	30.50	41.40	21.84	15.37	AB-REM102	T6 Alum.	4	Remington 700 L/A & S/A, Ruger M77 (Round Receiver)	Matte
PB-REM103	Steel	46.80	41.40	21.90	15.40	AB-REM103	T6 Alum.	4	Remington 700 L/A, S/A, Rev.Front, Ruger M77 (Round Receiver)	Matte
PB-SAK101	Steel	36.83	26.67			AB-SAK101	T6 Alum.	4	Sako Taperd Dovetail Receivers L/A & S/A	Matte
PB-SAV101	Steel	40.13	40.01	21.84	21.84	AB-SAV101	T6 Alum.	4	Savage 110,110C L/A & S/A, 111L/A, 112V S/A	Matte
PB-SAV102	Steel	40.13	40.01	21.84	21.84	AB-SAV102	T6 Alum.	4	Savage 110	Matte
PB-SAV103	Steel	30.50	52.00	21.80	21.90	AB-SAV103	T6 Alum.	4	Savage 10/110 Round Receiver	Matte
PB-TIK101	Steel	30.50	30.50	21.84	21.84	AB-TIK101	T6 Alum.	4	Tikka	Matte
PB-WEA101	Steel	40.49	37.34	21.84	15.37	AB-WEA101	T6 Alum.	4	Weatherby Mark V Mag cal	Matte
PB-WIN101	Steel	39.12	40.01	21.84	21.84	AB-WIN101	T6 Alum.	4	Winchester 70(Rear Hole Spacing.860) L/A & S/A, Browning BBR L/A & S/A	Matte
PB-WIN102	Steel	39.12	29.34	21.84	11.05	AB-WIN102	T6 Alum.	4	Win70 Pre64	Matte
PB-WIN103	Steel	30.50	41.40	21.84	11.00	AB-WIN103	T6 Alum.	4	Winchester 70 Rev.Rear Pre64	Matte
PB-WIN104	Steel	46.80	41.40	21.84	21.84	AB-WIN104	T6 Alum.	4	Winchester 70 Rev.Rear Pre64	Matte

1-Piece Picatinny Scope Base

- One-piece construction base provides rings a solid and firm mount to your firearm without adding unnecessary weight.
- Picatinny rail Bases are matched with your choice of rings style in low, medium and high profile.

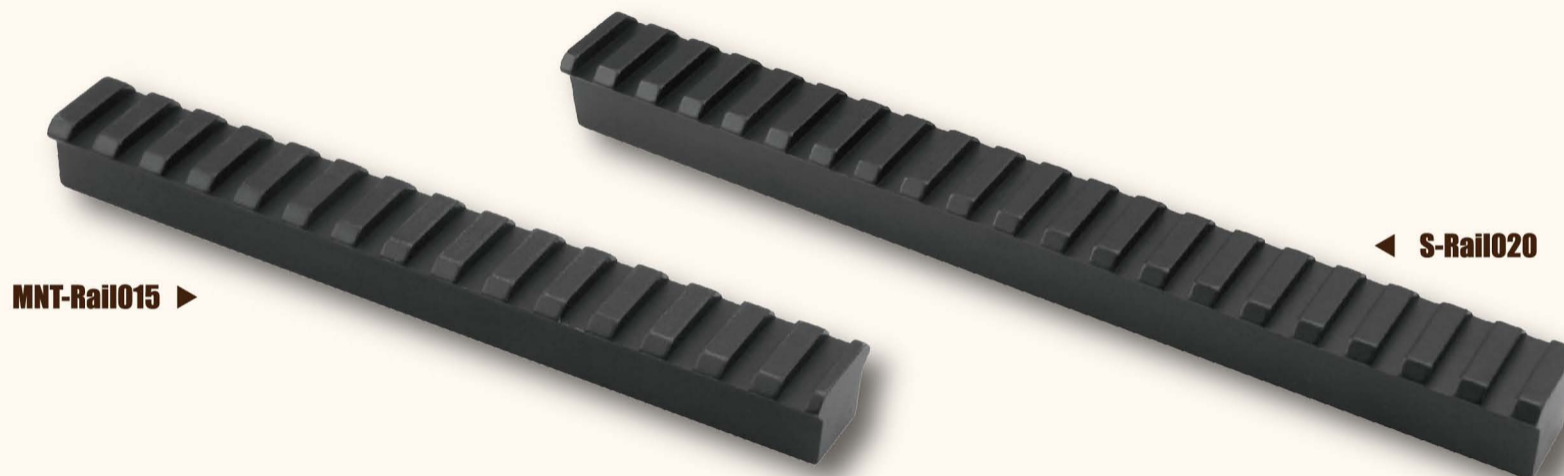


Model	Material	Overall Length (mm)	C to C Distance (mm)			Model	Material	Screws per Unit	Designed For	Finish
			AB	BC	CD					
PB-BRN001	Steel	150.00		80.95	12.70	AB-BRN001	T6 Alum.	3	Browning Bar (semi-auto) BPR,Mark II	Matte
PB-BRN002	Steel	150.00		98.17	21.84	AB-BRN002	T6 Alum.	3	Browning A-Bolt L/A	Matte
PB-BRN003	Steel	150.00	21.84	79.12	21.84	AB-BRN003	T6 Alum.	3	Browning A-Bolt S/A	Matte
PB-HSV001	Steel	150.00		108.60	21.84	AB-HSV001	T6 Alum.	2	Husqvarna husky,norrahammer	Matte
PB-MAR001	Steel	150.00		69.85	12.70	AB-MAR001	T6 Alum.	3	Marlin 36,36A,336,444 Sportor,1895,9,922	Matte
PB-MAR002	Steel	150.00		47.63	12.70	AB-MAR002	T6 Alum.	3	Marlin 1894	Matte
PB-MAU001	Steel	150.00		108.58	21.84	AB-MAU001	T6 Alum.	3	Mauser 98	Matte
PB-MAU002	Steel	150.00		108.58	21.84	AB-MAU002	T6 Alum.	3	Mauser swedish small ring 95	Matte
PB-MAU003	Steel	150.00		109.86	21.84	AB-MAU003	T6 Alum.	3	Mauser FN	Matte
PB-REM001	Steel	150.00	15.37	52.07	21.84	AB-REM001	T6 Alum.	4	Remington 4, 6, 74, 7400, 7600	Matte
PB-REM002	Steel	150.00	15.37	41.91	21.84	AB-REM002	T6 Alum.	4	Remington 740, 742, 760	Matte
PB-REM003	Steel	150.00		113.79	21.84	AB-REM003	T6 Alum.	3	Remington 40X,72,721,725,Long actions weatherby Vanguard	Matte
PB-REM004	Steel	150.00		92.20	21.84	AB-REM004	T6 Alum.	3	Remington 700SA,722,725	Matte
PB-REM005	Steel	150.00		75.95	21.84	AB-REM005	T6 Alum.	3	Remington 788 L/A Cals.:222mag,.22-250, 30/30	Matte
PB-REM006	Steel	150.00		83.57	21.84	AB-REM006	T6 Alum.	3	Remington 788 S/A Cal.-:243,6mm,-.308	Matte
PB-RUG001	Steel	150.00		65.30	12.75	AB-RUG001	T6 Alum.	3	Ruger 1022	Matte
PB-SAK001	Steel	150.00	21.84	62.16	21.84	AB-SAK001	T6 Alum.	4	Sako finnwolf, winchester 88,100	Matte
PB-SAV001	Steel	150.00		117.58	21.84	AB-SAV001	T6 Alum.	3	Savage 110 series L/A	Matte
PB-SAV002	Steel	150.00		103.87	21.84	AB-SAV002	T6 Alum.	3	Savage 110 series S/A	Matte
PB-SAV003	Steel	162.00	21.84	109.7	21.84	AB-SAV003	T6 Alum.	4	Savage Axis	Matte
PB-SPR001	Steel	150.00		104.14		AB-SPR001	T6 Alum.	2	Springfield 03A3, A4	Matte
PB-SPR002	Steel	150.00		104.14	21.84	AB-SPR002	T6 Alum.	3	Springfield 03	Matte
PB-TMS001	Steel	125.70	7.95	21.26	7.95	AB-TMS001	T6 Alum.	4	Thopson Certer Encore	Matte
PB-WIN001	Steel	150.00		107.32	21.84	AB-WIN001	T6 Alum.	3	Winchester 70 (only one rear hole)	Matte
PB-WIN002	Steel	150.00		104.47	21.84	AB-WIN002	T6 Alum.	3	Winchester 70S/A	Matte
PB-WIN003	Steel	150.00		96.52	21.84	AB-WIN003	T6 Alum.	3	Winchester 70	Matte
PB-WIN004	Steel	150.00		104.47	21.84	AB-WIN004	T6 Alum.	3	Winchester 70 S/A (1984+)	Matte
PB-WIN005	Steel	150.00		95.25		AB-WIN005	T6 Alum.	2	Winchester 94 angle eject	Matte
PB-WIN006	Steel	150.00		104.80	21.84	AB-WIN006	T6 Alum.	3	Winchester 70 PRE 64 (rear hole spc.435)	Matte

Picatinny Blank Rail

Model	Material	Length	Height
MNT-Rail010	T6 Alum.	101.6mm	12.3mm
MNT-Rail015	T6 Alum.	152.4mm	12.3mm
MNT-Rail020	T6 Alum.	203.2mm	12.3mm
MNT-Rail025	T6 Alum.	254.0mm	12.3mm
MNT-Rail030	T6 Alum.	304.8mm	12.3mm
MNT-Rail035	T6 Alum.	355.6mm	12.3mm
MNT-Rail040	T6 Alum.	406.4mm	12.3mm

Model	Material	Length	Height	Finish	Remarks
S-Rail010	Steel	101.6mm	9.8mm	Matte	Blank rail, picatinny
S-Rail015	Steel	152.4mm	9.8mm	Matte	Blank rail, picatinny
S-Rail020	Steel	203.2mm	9.8mm	Matte	Blank rail, picatinny
S-Rail025	Steel	254.0mm	9.8mm	Matte	Blank rail, picatinny
S-Rail030	Steel	304.8mm	9.8mm	Matte	Blank rail, picatinny
S-Rail035	Steel	355.6mm	9.8mm	Matte	Blank rail, picatinny
S-Rail040	Steel	406.4mm	9.8mm	Matte	Blank rail, picatinny

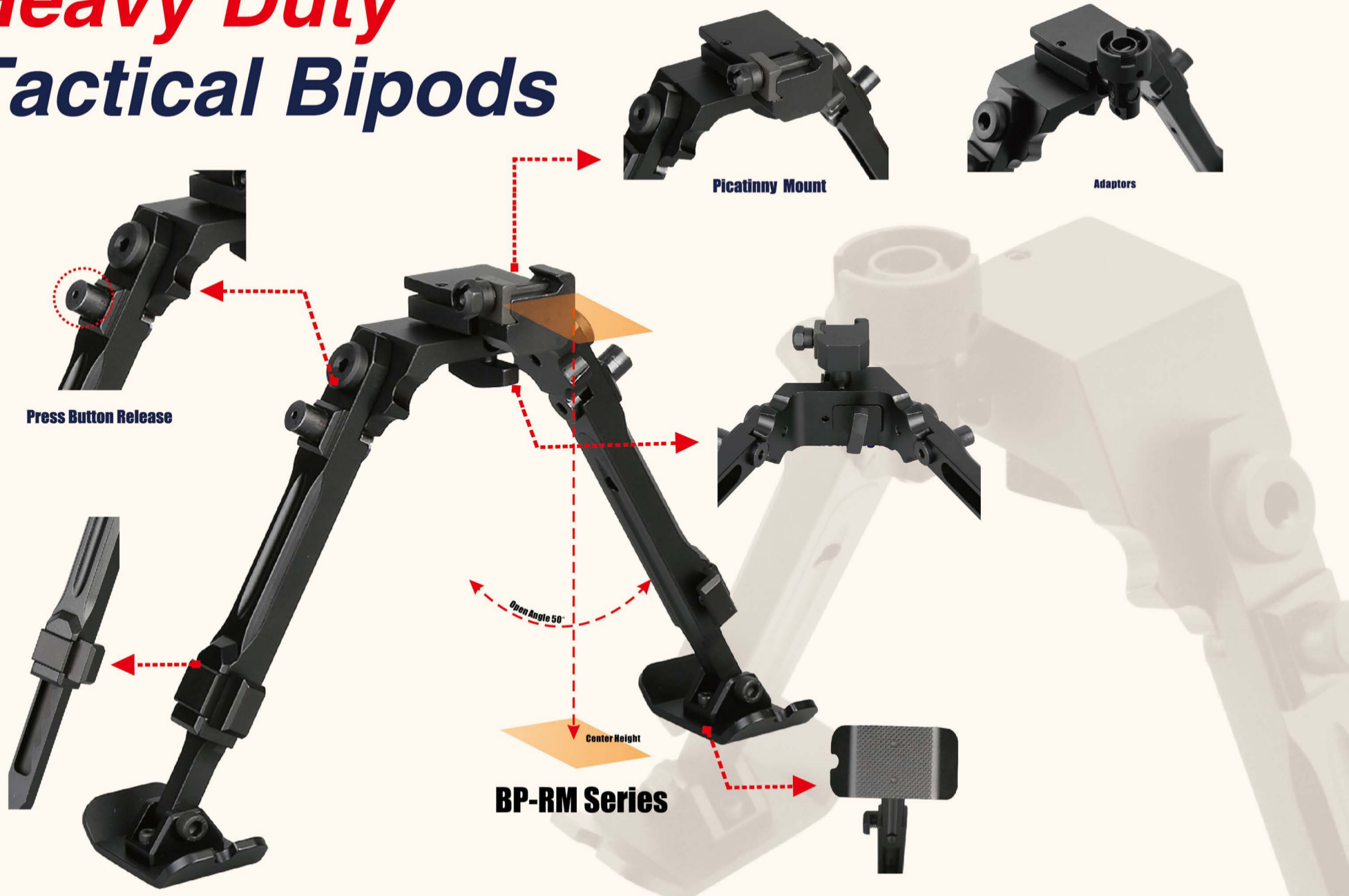


Saddle Mount



Model	Material	Overall Length (mm)	Designed For	Finish
MNT-MOSS500	T6 Alum	180.60mm	Mossberg 500,835 12GA	Matte
MNT-MOSS835	T6 Alum	180.00mm	Mossberg 835 12GA Blue	Matte
MNT-MOSS9200	T6 Alum	140.00mm	Mossberg 9200 12GA	Matte
MNT-REM1100	T6 Alum	186.00mm	Remington 1100,1187 12GA	Matte
MNT-REM1189	T6 Alum	155.00mm	Remington 870 1100 1189 20GA	Matte
MNT-REM870	T6 Alum	155.00mm	Remington 870,1100,1187 12GA	Matte
MNT-WIN1200	T6 Alum	189.05mm	Winchester 1200,12GA	Matte
MNT-WIN1200U	T6 Alum	189.05mm	Winchester 1200,1300,1400,1500 12GA	Matte
MNT-WIN1300	T6 Alum	172.00mm	Winchester 1300 12GA	Matte
MNT-WIN1400	T6 Alum	172.00mm	Winchester 1400,1500 12GA	Matte

Heavy Duty Tactical Bipods

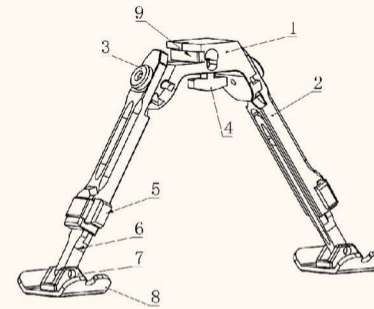


48 Bipods

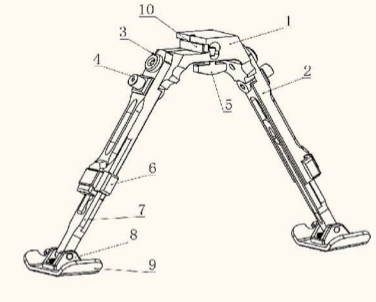
Heavy Duty Tactical Bipods

- CNC machined from aircraft grade T6 or T7 Alum. alloy
- Bipod can be disassembled completely.
- Bipod legs can be folded backwards, downwards and forward (Bridge with 5 positions additional in 45 and 135 degrees).
- No special tools required. All screws can be tightened or loosened with a Hex-Wrench.

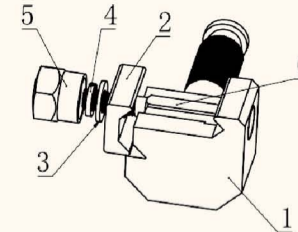
Item No.	Material	Leg Length (mm)		Center Height(mm)		Adjustable Positions
		Min	Max	Min	Max	
BP-R7	Alum. T7075	207mm	268mm	195.8	248	4
BP-MINI	T6 Alum.	140.5	184.5	129.23	167.33	4
BP-REXH	T6 Alum.	TBD	TBD	TBD	TBD	6
BP-RH	T6 Alum.	TBD	TBD	TBD	TBD	5
BP-RM	T6 Alum.	207mm	268mm	195.8	248	4
BP-RS	T6 Alum.	167.99	198.14	161.18	187.29	2



- 1) Bipod Body
- 2) Upper Leg (Female)
- 3) Cross Bolt
- 4) Adapter Locking Lever
- 5) Push Button
- 6) Lower Leg (Male)
- 7) Foot Plate Locking Screw Bolt
- 8) Foot Plate
- 9) Adapter Mount Release Lever

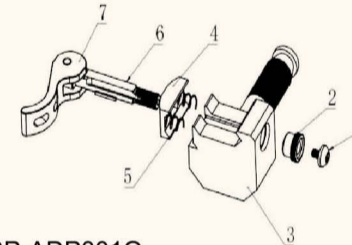


- 1) Bipod Body
- 2) Upper Leg (Female)
- 3) Cross Bolt
- 4) Push Button
- 5) Adapter Locking Lever
- 6) Push Button
- 7) Lower Leg (Male)
- 8) Foot Plate Locking Screw Bolt
- 9) Foot Plate
- 10) Adapter Mount Release Lever



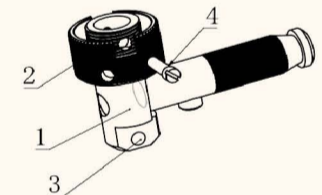
BP-ADP001
Picatinny/Weaver, standard

- 1) Picatinny Deck
- 2) Rail Clamp
- 3) Flat Spacer
- 4) Spring Gasket
- 5) Locking Nut
- 6) Cross Bolt



BP-ADP001Q
Picatinny/Weaver, Quick-Release

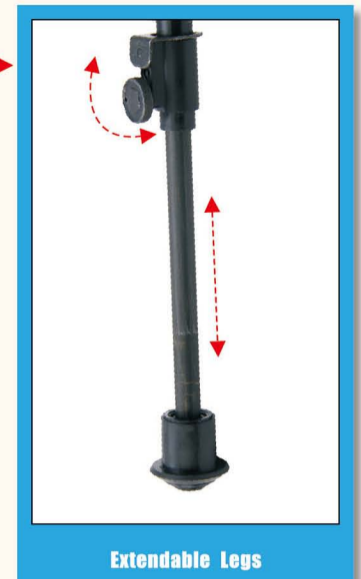
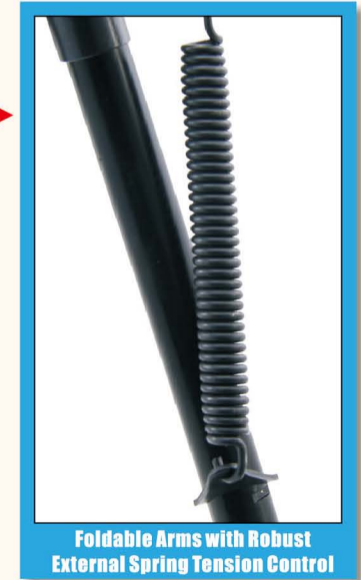
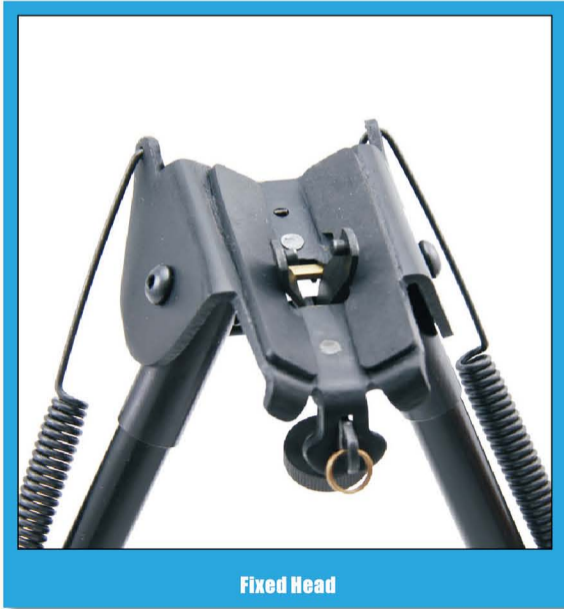
- 1) Locking Screw
- 2) Fine Adjustment Nut(+/-1mm)
- 3) Picatinny Deck
- 4) Rail Clamp
- 5) Springs
- 6) Cross Bolt
- 7) Quick Detach Lever



BP-ADP002
Swivel Stud

- 1) Adapter Body
- 2) Locking Nut
- 3) Sling Swivel Hole
- 4) Locking Pin

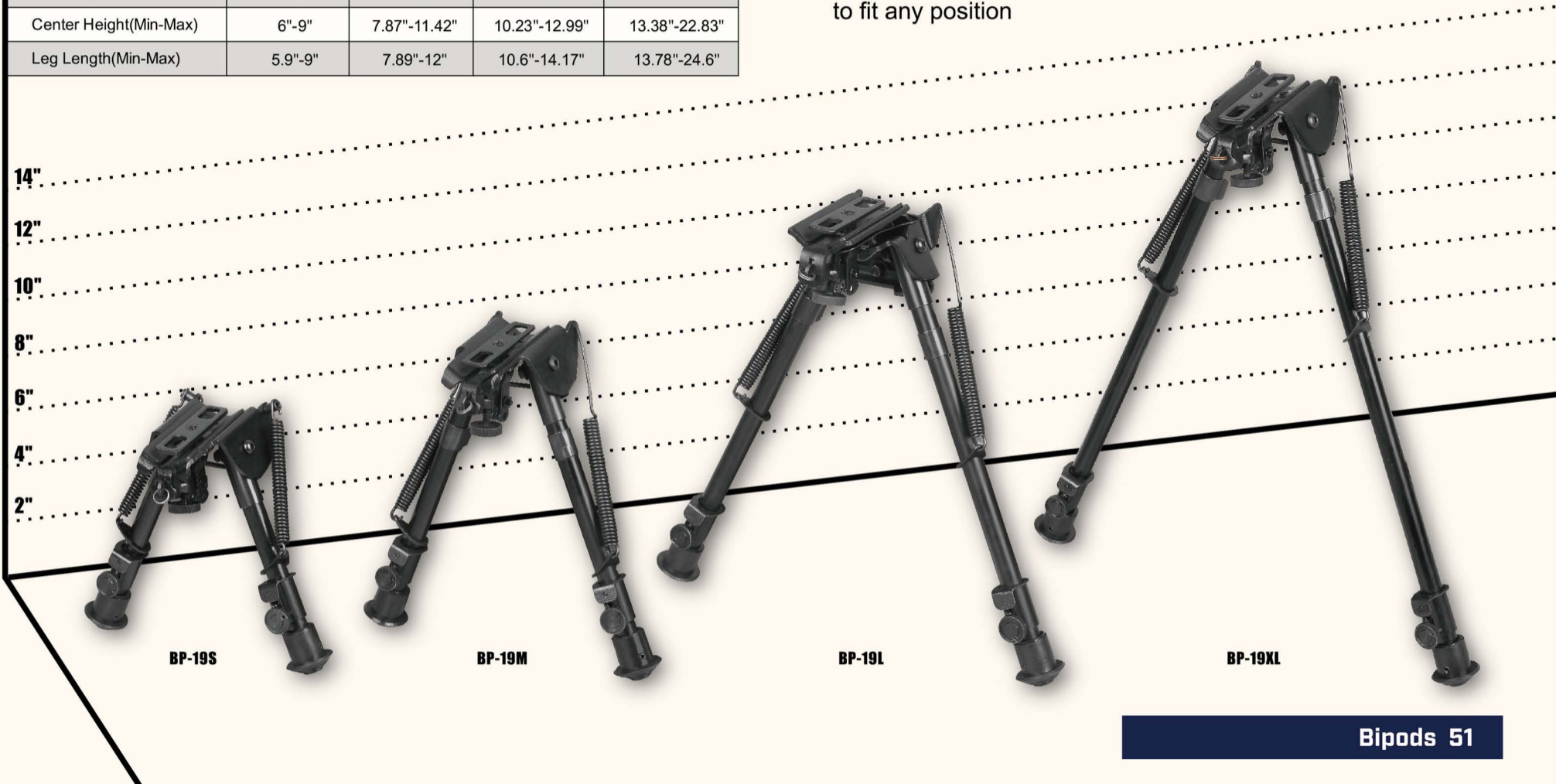
BP-19 Series



Model	BP-19S	BP-19M	BP-19L	BP-19XL
Posi-lock	✓	✓	✓	✓
Swivel	X	X	X	X
Extendable Legs	✓	✓	✓	✓
Foldable Arms	✓	✓	✓	✓
Reversible Arms-Folding	✓	✓	✓	✓
Stand	Rubber	Rubber	Rubber	Rubber
Net Weight	452g	486g	508g	584g
Center Height(Min-Max)	6"-9"	7.87"-11.42"	10.23"-12.99"	13.38"-22.83"
Leg Length(Min-Max)	5.9"-9"	7.89"-12"	10.6"-14.17"	13.78"-24.6"

Tactical Bipods

- 1) Durable aluminum construction
- 2) Complete with three mounting systems-stud mount, weaver picatinny mount and barrel mount
- 3) Foldable arms with spring-return control
- 4) Extendable legs with individual adjustment function to fit any position



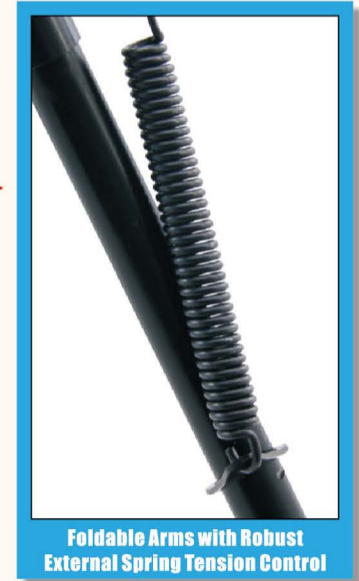
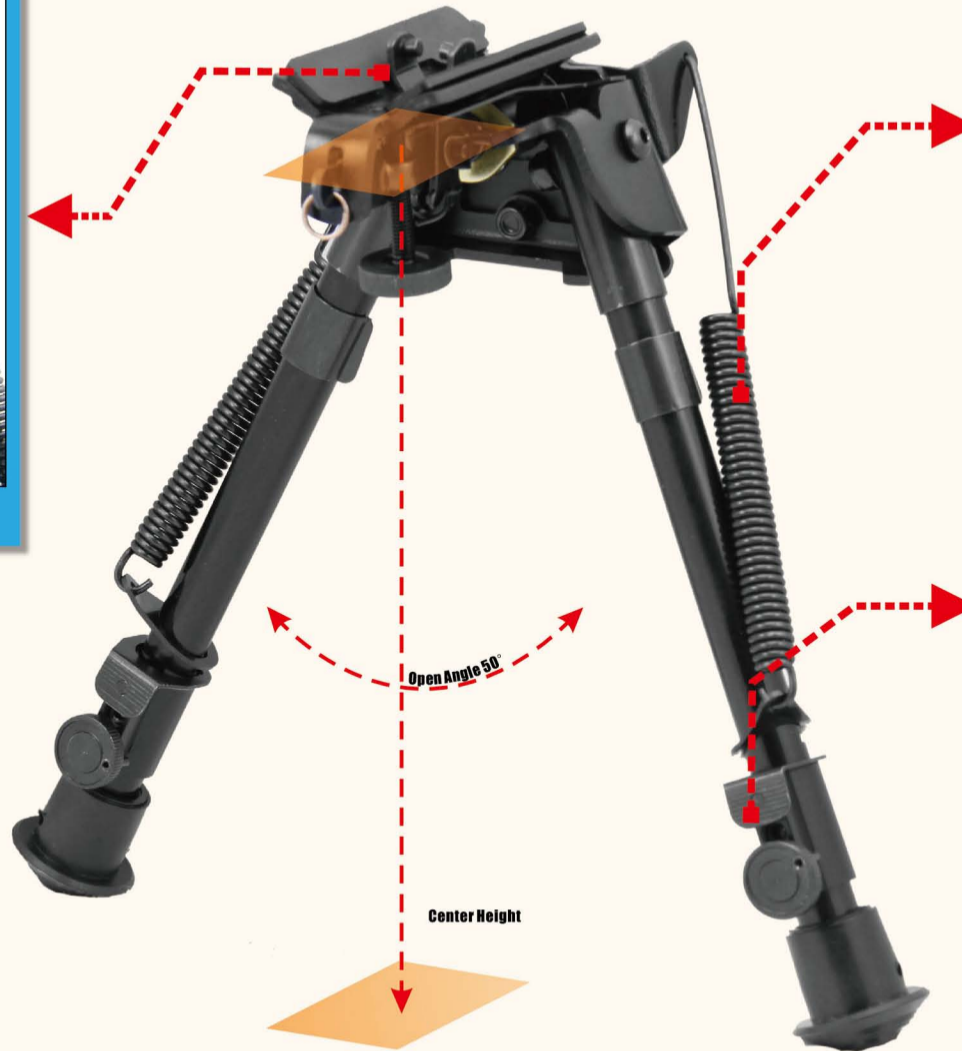
BP-19S

BP-19M

BP-19L

BP-19XL

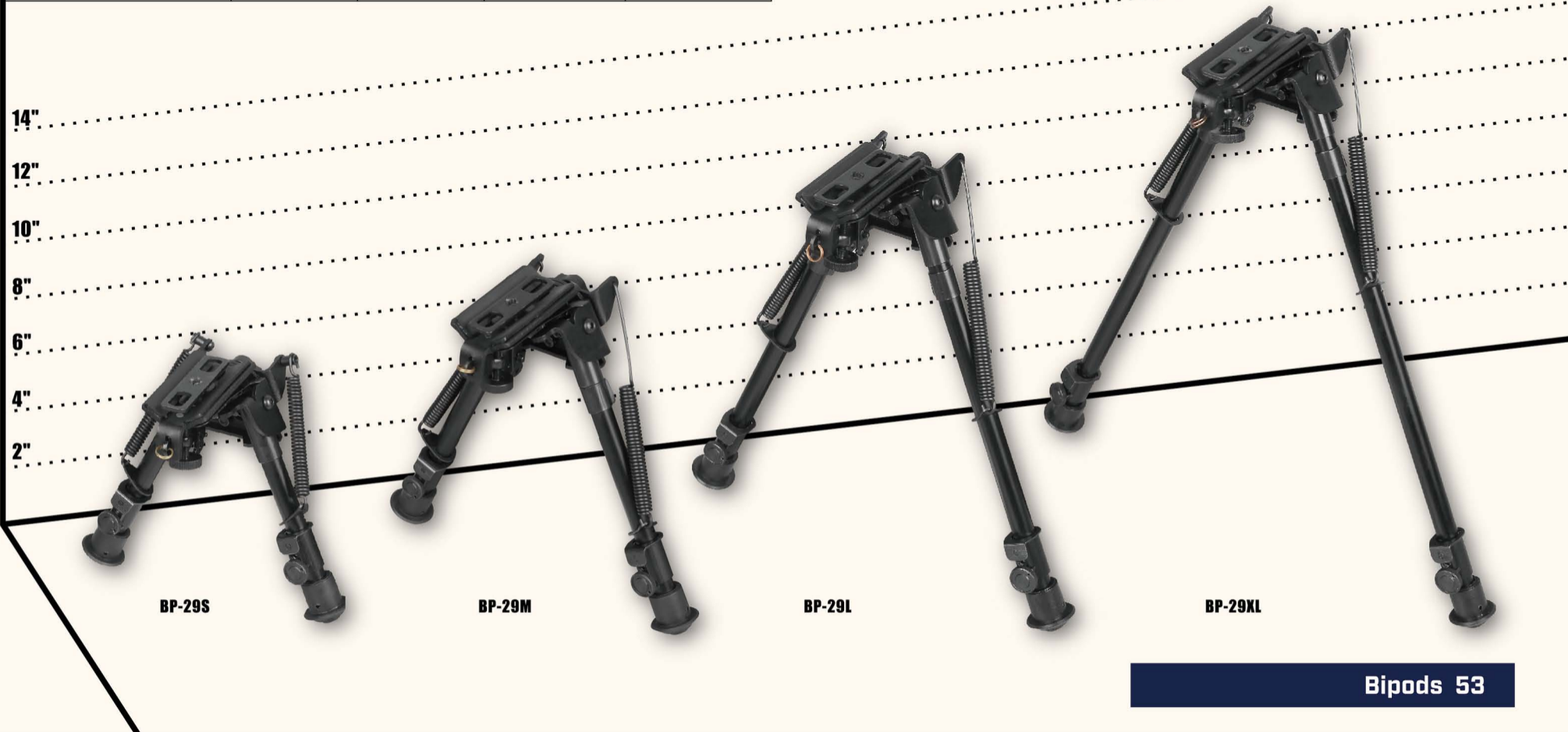
BP-29 Series



Tactical Bipods

- 1) Durable aluminum construction
- 2) Complete with three mounting systems-stud mount, weaver picatinny mount and barrel mount
- 3) Foldable arms with spring-return control
- 4) Extendable legs with individual adjustment function to fit any position

Model	B-29S	BP-29M	BP-29L	BP-29XL
Posi-lock	✓	✓	✓	✓
Swivel	✓	✓	✓	✓
Extendable Legs	✓	✓	✓	✓
Foldable Arms	✓	✓	✓	✓
Reversible Arms-Folding	✓	✓	✓	✓
Stand	Rubber	Rubber	Rubber	Rubber
Net Weight	532g	574g	594g	670g
Center Height(Min-Max)	6"-9"	7.87"-11.42"	10.23"-12.99"	13.38"-22.83"
Leg Length(Min-Max)	5.9"-9"	7.89"-12"	10.6"-14.17"	13.78"-24.6"



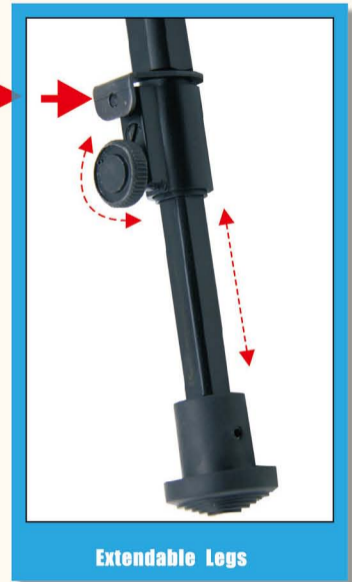
BP-29S

BP-29M

BP-29L

BP-29XL

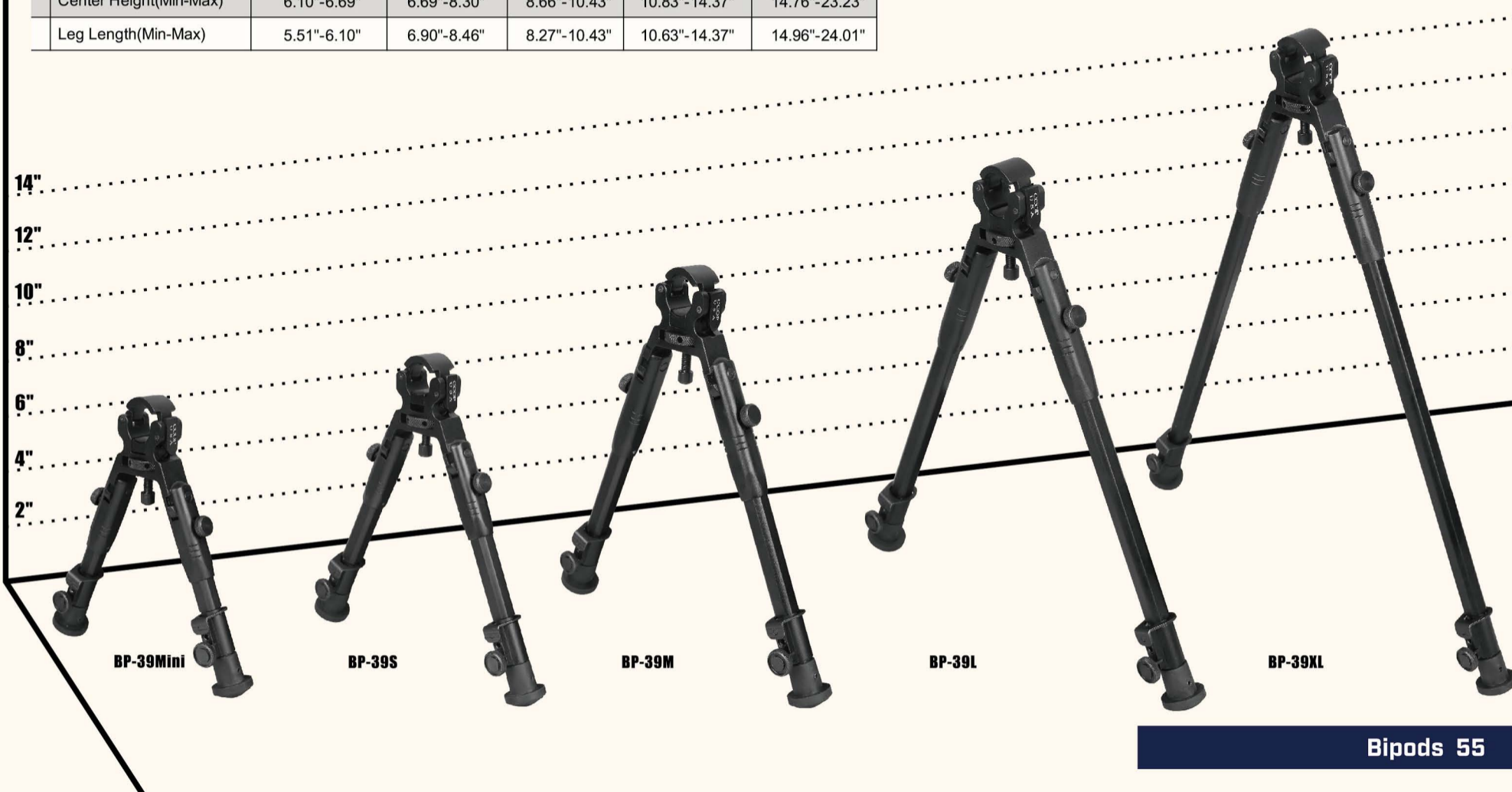
BP-39 Series



Model	BP-39Mini	BP-39S	BP-39M	BP-39L	BP-39XL
Posi-lock	✓	✓	✓	✓	✓
Extendable Legs	✓	✓	✓	✓	✓
Foldable Arms	✓	✓	✓	✓	✓
Reversible Arms-Folding	✓	✓	✓	✓	✓
Stand	Rubber	Rubber	Rubber	Rubber	Rubber
Net Weight	261.05g	283.75g	328g	370g	452g
Center Height(Min-Max)	6.10"-6.69"	6.69"-8.30"	8.66"-10.43"	10.83"-14.37"	14.76"-23.23"
Leg Length(Min-Max)	5.51"-6.10"	6.90"-8.46"	8.27"-10.43"	10.63"-14.37"	14.96"-24.01"

Barrel Clamp Bipods

- 1) Durable aluminum construction
- 2) Reinforced clamping adjustment wheel
- 3) Unique Posi-lock to prevent tipping
- 4) Adjustable legs and rubberized stand



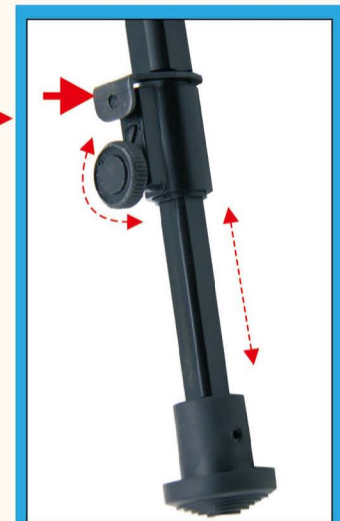
BP-59 Series



Panning Rotation



Posi-lock Feature to Prevent Tipping

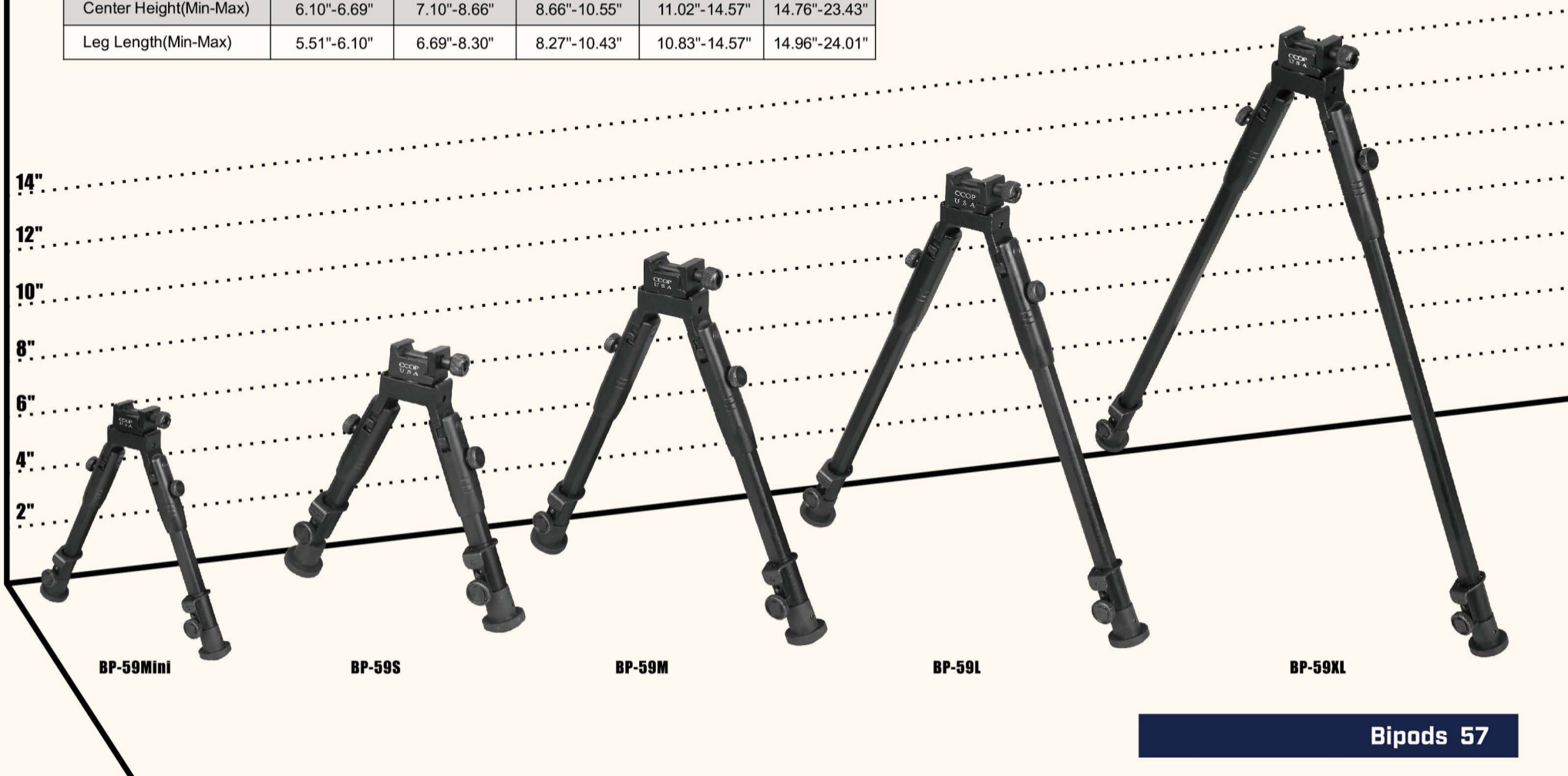


Extendable Legs

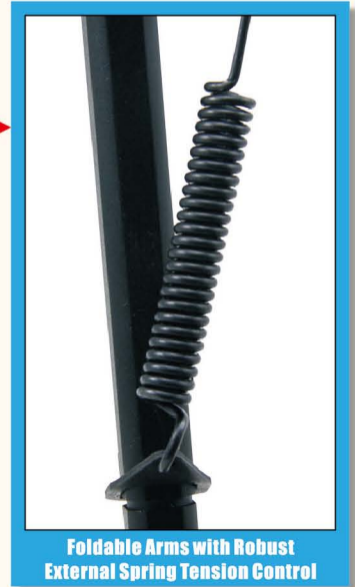
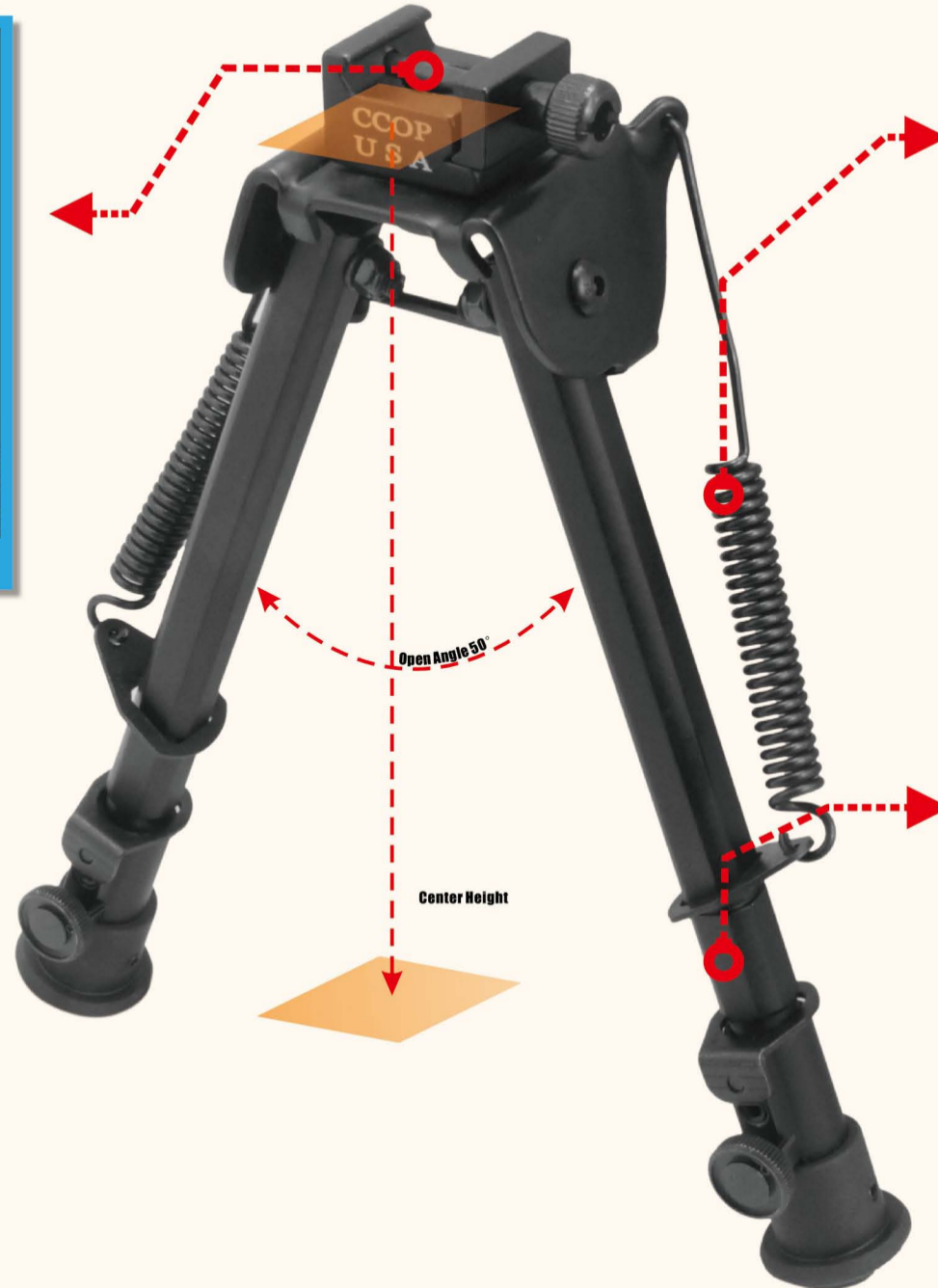
Model	BP-59Mini	BP-59S	BP-59M	BP-59L	BP-59XL
Posi-lock	✓	✓	✓	✓	✓
Extendable Legs	✓	✓	✓	✓	✓
Foldable Arms	✓	✓	✓	✓	✓
Reversible Arms-Folding	✓	✓	✓	✓	✓
Stand	Rubber	Rubber	Rubber	Rubber	Rubber
Net Weight	248 g	272.4g	370g	411g	494g
Center Height(Min-Max)	6.10"-6.69"	7.10"-8.66"	8.66"-10.55"	11.02"-14.57"	14.76"-23.43"
Leg Length(Min-Max)	5.51"-6.10"	6.69"-8.30"	8.27"-10.43"	10.83"-14.57"	14.96"-24.01"

Tactical Bipods

- 1) Durable aluminum construction
- 2) Picatinny rail mount
- 3) Unique Posi-lock to prevent tipping
- 4) Adjustable legs and rubberized stand



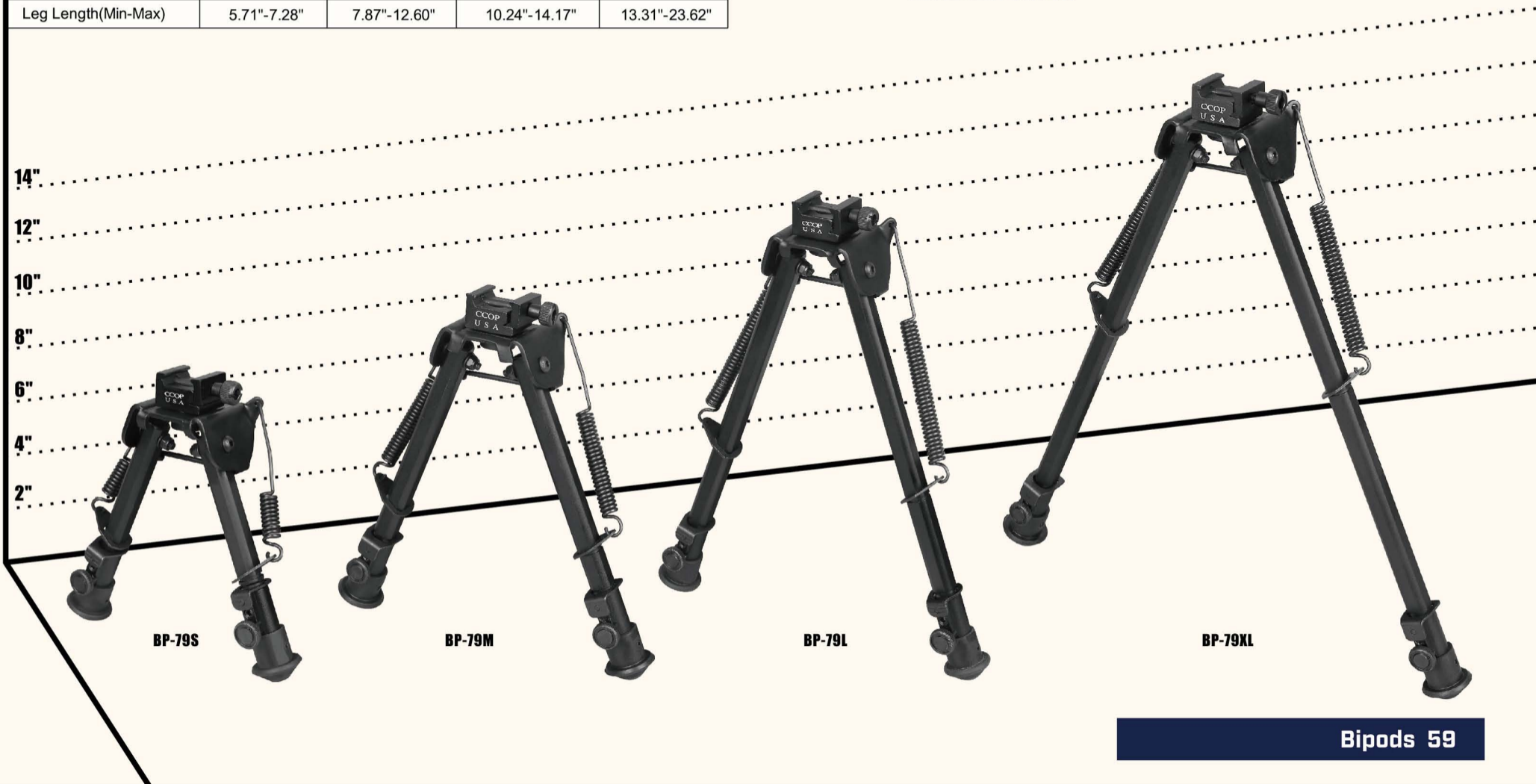
BP-79 Series



Model	BP-79S	BP-79M	BP-79L	BP-79XL
Posi-lock	✓	✓	✓	✓
Extendable Legs	✓	✓	✓	✓
Foldable Arms	✓	✓	✓	✓
Reversible Arms-Folding	✓	✓	✓	✓
Stand	Rubber	Rubber	Rubber	Rubber
Net Weight	384g	455g	489g	566g
Center Height(Min-Max)	6.30"-7.68"	8.2"-12.80"	10.24"-13.98"	13.39"-22.83"
Leg Length(Min-Max)	5.71"-7.28"	7.87"-12.60"	10.24"-14.17"	13.31"-23.62"

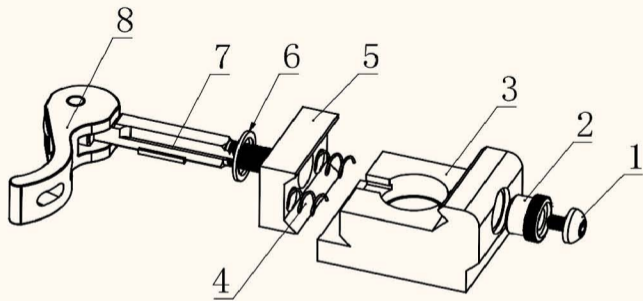
Tactical Bipods

- 1) Durable aluminum construction
- 2) Picatinny rail mount
- 3) Foldable arms with spring tension control
- 4) Extendable legs with Posi-lock wheel & quick retraction button

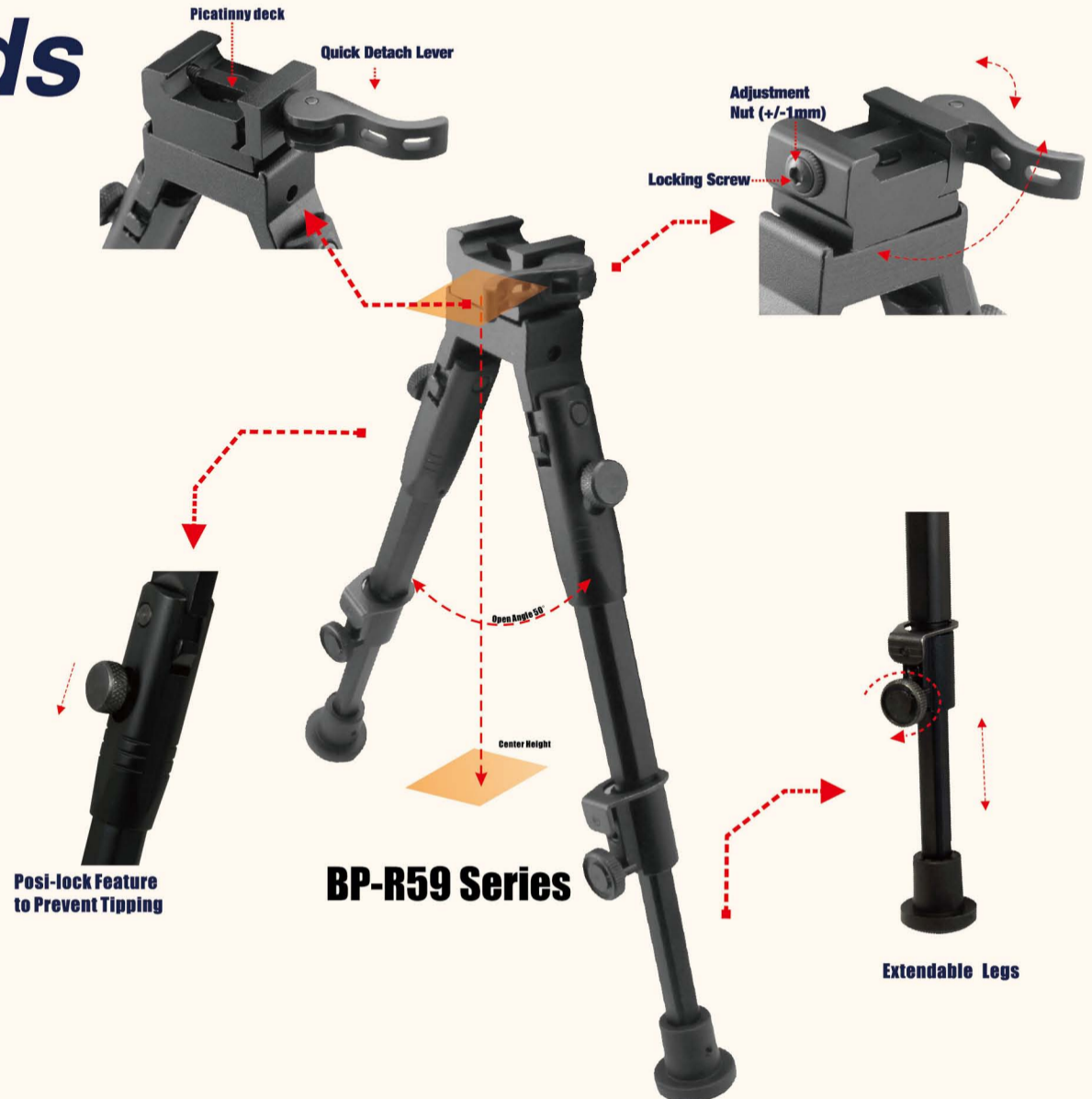


Quick Release Tactical Bipods

- 1) Durable aluminum construction
- 2) Picatinny rail mount
- 3) Quick release lever
- 4) Foldable arms with spring tension control
- 5) Extendable legs with Posi-lock wheel & quick retraction button



- 1) Locking Screw
- 2) Adjustment Nut (+/-1mm)
- 3) Picatinny Deck
- 4) Springs
- 5) Rail Clamp
- 6) Metal Spacer
- 7) Cross Bolt
- 8) Quick Detach Lever



Model	BP-R59Mini	BP-R59S	BP-R59M	BP-R59L	BP-R59XL
Posi-Lock	Yes	Yes	Yes	Yes	Yes
Extendable Legs	Yes	Yes	Yes	Yes	Yes
Reversible Arms-Folding	Yes	Yes	Yes	Yes	Yes
Stand	Rubber	Rubber	Rubber	Rubber	Rubber
Net Weight	290	330	370	411	494
Center Height (Min-Max)	6.10"-6.69"	7.10"-8.66"	8.66"-10.55"	11.02"-14.57"	14.76"-23.43"
Leg Length (Min-Max)	5.51"-6.10"	6.69"-8.30"	8.27"-10.43"	10.83"-14.57"	14.96"-24.01"

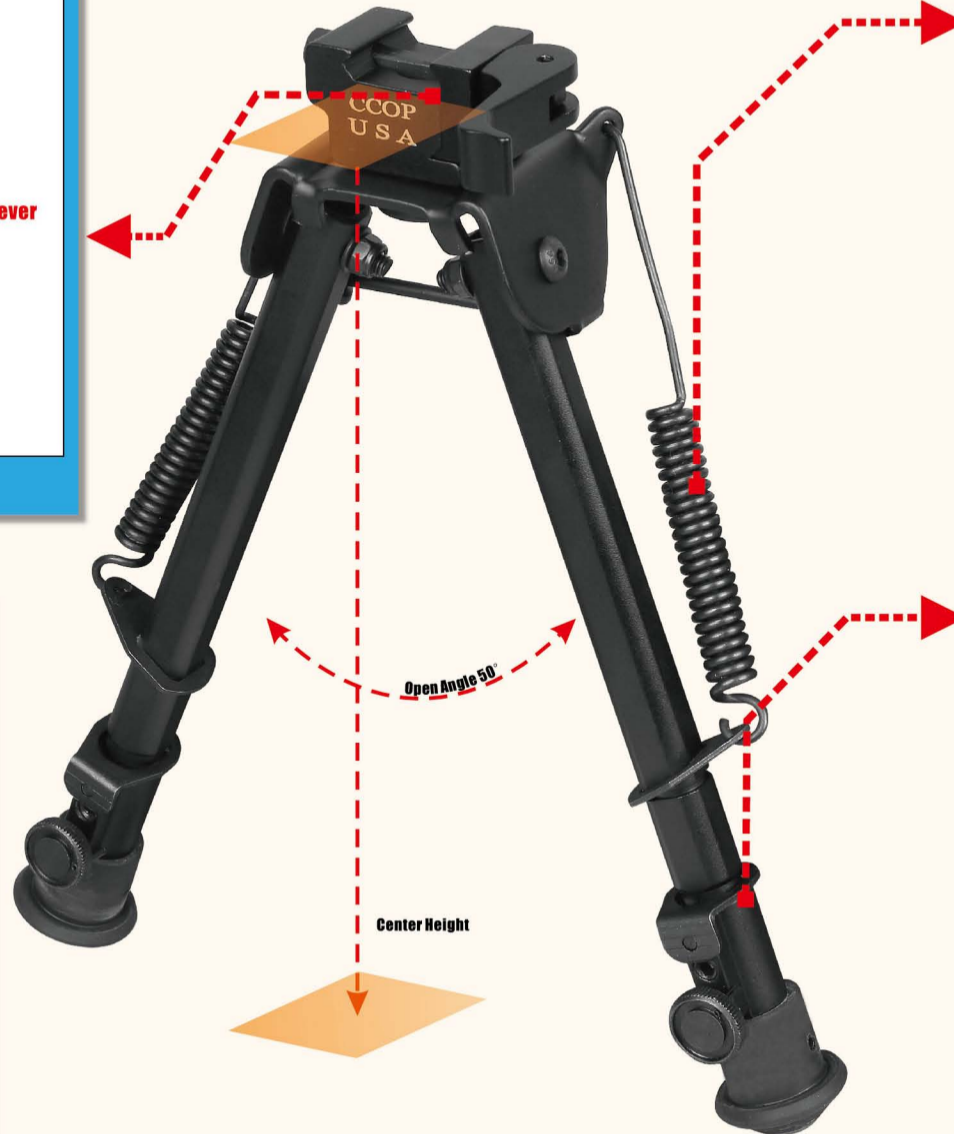
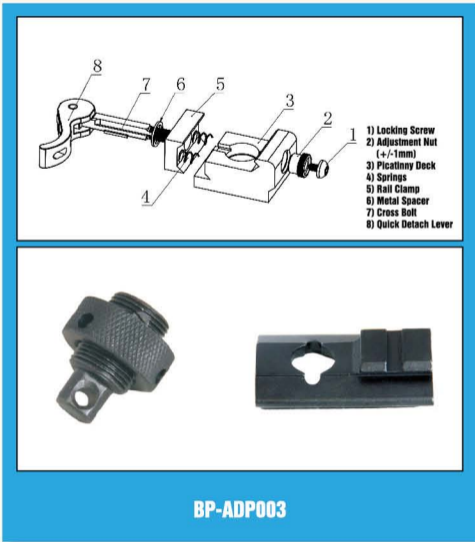
Quick Release Tactical Bipods

- 1) Durable aluminum construction
- 2) Picatinny rail mount
- 3) Unique Posi-lock to prevent tipping
- 4) Adjustable legs and rubberized stand



Quick Release Tactical Bipods

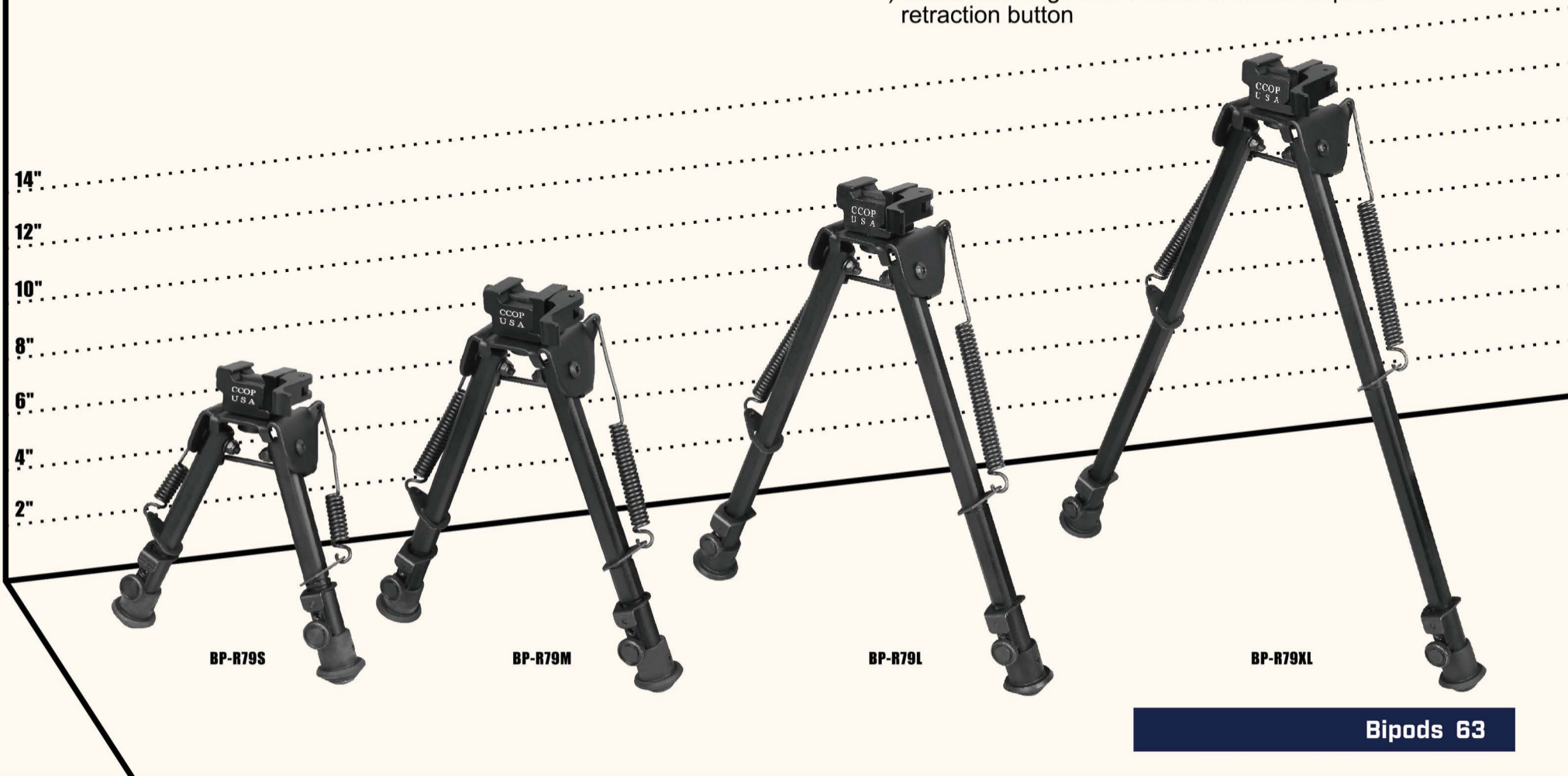
BP-R79 Series



Quick Release Tactical Bipods

- 1) Durable aluminum construction
- 2) Picatinny rail mount
- 3) Quick release lever
- 4) Foldable arms with spring tension control
- 5) Extendable legs with Posi-lock wheel & quick retraction button

Model	BP-R79S	BP-R79M	BP-R79L	BP-R79XL
Posi-Lock	Yes	Yes	Yes	Yes
Extendable Legs	Yes	Yes	Yes	Yes
Reversible Arms-Folding	Yes	Yes	Yes	Yes
Stand	Rubber	Rubber	Rubber	Rubber
Net Weight	384	455	489	566
Center Height (Min-Max)	6.3"-7.68"	8.27"-12.80"	10.24"-13.98"	13.39"-22.83"
Leg Length (Min-Max)	5.71"-7.28"	7.87"-12.60"	10.24"-14.17"	13.31"-23.62"



BP-R Series



BP-R5 (9.5")

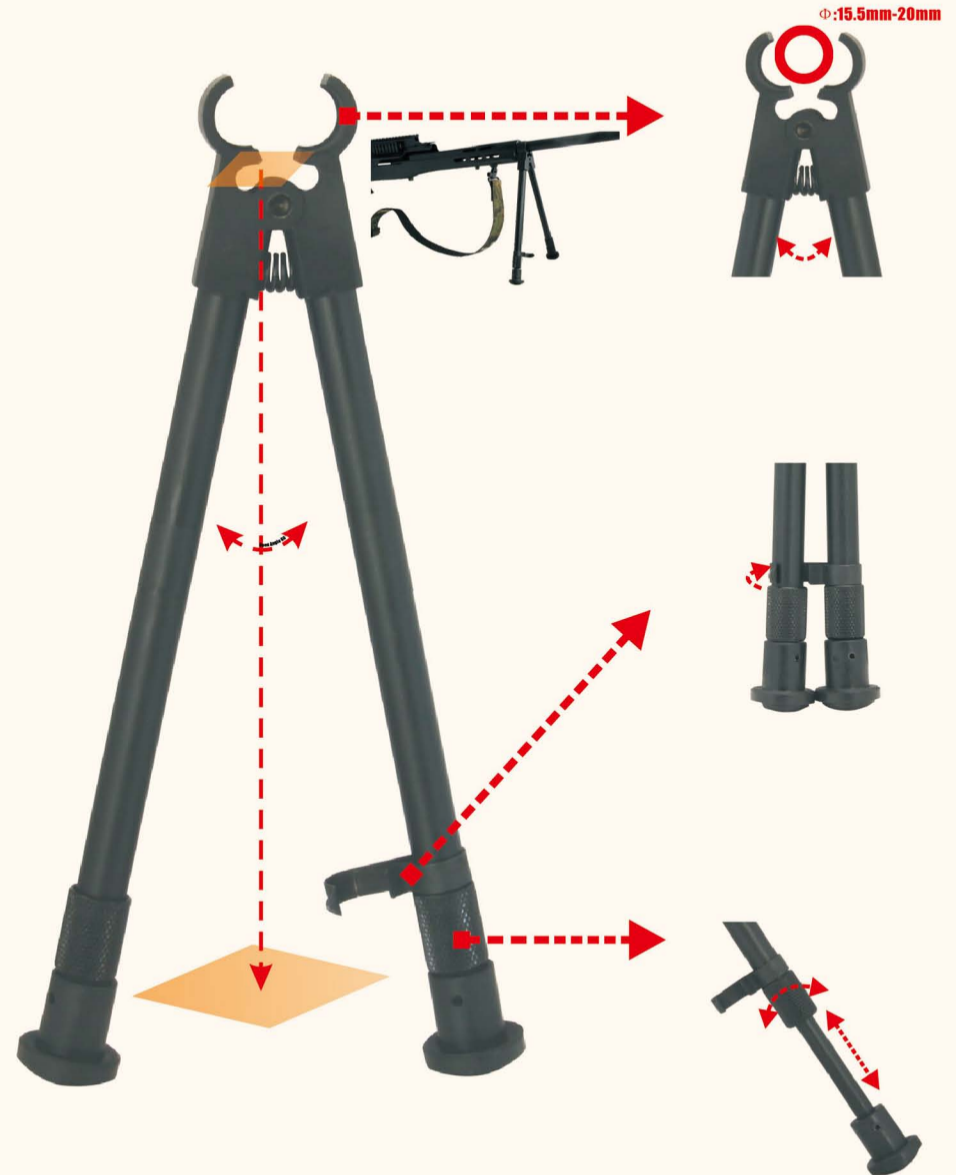
BP-R6 (13")

9915002 (9")

9915001 (12")

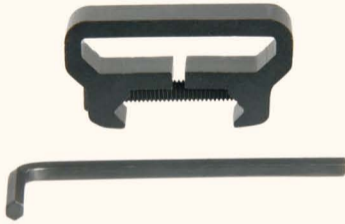
Plastic Bipods

Model	BP-R5	BP-R6	9915002	9915001
Posi-lock	X	X	X	X
Swivel	X	X	X	X
Extendable Legs	✓	✓	X	X
Foldable Arms	X	X	X	X
Reversible Arms-Folding	✓	✓	X	X
Stand	Rubber	Rubber	Nylon	Nylon
Net Weight	150g	178g	114g	142g
Center Height(Min-Max)	6.30"-8.07"	8.66"-11.81"	6.5"	9"
Leg Length(Min-Max)	6.69"-8.86"	9.25"-12.50"	8"	11"



64 Bipods

MOUNTS & ACCESSORIES



MNT-SS03

Size:1.50"x0.51"x0.75"
NW:10g



TL-M411

Size:1.97"x0.59"
NW:24g



9997113

Size:1.77"x0"
NW:12g



9997112

Size:1.34"x1.69"x0.35"
NW:12g

sling swivel set



MNT-SS04

Size:1"x1.34"x0.35"
NW:14g

sling swivel set



MNT-SS05

Size:1.25"x1.34"x0.35"
NW:16g

Detachable Push Button Sling Swivel



QD-M01

Size:1.50"x1.18"x0.63"
NW:26g

Detachable Push Button Sling Swivel



QD-F01

Size:2.0"x1.38"x0.63"
NW:30g

Picatinny mounts QD Swivel
Fit any picatinny/weaver rail



MNT-SS01

Size:1.64"x
NW:28g

Picatinny mounts QD Swivel
Fit any picatinny/weaver rail



MNT-SS02

Size:1.26"x0.67"x1.14"
NW:40g

FAL/STG multi-function tool
Perfect for FN/FAL grip nut



TL-FN11

Size:12"x3.94"x0.43"
NW:220g

AK sight tool
An essential tool to make the windage
and elevation adjustment to the front
sight of SKS,AK



TL-K4711

Size:2.48"x2.52"x0.
NW:120g

MOUNTS & ACCESSORIES



MNT-1501

Size: 7.44"x0.91"x1.26"
NW: 110g



MNT-1502

Size: 5.20"x0.87"x1.18"
NW: 64g



MNT-1503

Size: 5.35"x0.83"x1.30"
NW: 78g

3/4" Riser Mount With QD
Knobs For Flattop Receiver



MNT-1506

Size: 5.67"x1.69"x1.46"
NW: 170g



MNT-1509

Size: 6.14"x0.83"x0.55"
NW: 48g

M14/AR15 carrying handle with Picatinny rails
Solid aluminum construction



MNT-1510C

Size: 6.93"x1.97"x1.89"
NW: 264g



MNT-1518

Size: 2.01"x0.67"x0.67"
NW: 42g

STEEL



MNT-1519

Size: 4.17"x1.42"x0.59"
NW: 108g



MNT-Mauk98

Size: 5.28"x0.83"x0.75"
NW: 58g



MNT-303EFD4

Size: 5"x0.83"x0.63"
NW: 72g



MNT-Sig550

Size: 5.28"x0.83"x0.63"
NW: 128g



MNT-rail80-100-160



5/8" Low Profile Extended Riser Mount With QD K knobs

MNT-M401

Size: 7.9"x1.5"x0.9"
NW: 192g



1/2" Extended Low Profile Rise Mount With QD K knobs

MNT-M1402

Size: 7.09"x1.69"x0.94"
NW: 126g

Solid T6 aluminum ,
a positive hold and
easy removal and
installation



MNT-M1401

Size: 5.35"x1.89"x2.17"
NW: 126g



MNT-Mini1401

Size: 5"x2.05"x2.36"
NW: 146g



MNT-K4712

Size: 4.13"x0.98"x0.2"
NW: 86g



MNT-VZ58

Size: 4.33"x0.95"x0.36"
NW: 146g



MNT-K4705

Size: 7.1"x3.2"x2"
NW: 422g



MNT-K4706

Size: 5.08"x2.09"x3.86"
NW: 226g

Quick Release



MNT-K4720

Size: 5.79"x1.73"x3.58"
NW: 210g

Quick Release



MNT-K4721

Size: 5.79"x1.73"x3.58"
NW: 190g

● **13-Piece Punch Set with Hammer in plastic case** ▼



9921513

Include one gunsmith brass hammer
 8 brass punches: 1/8", 9/64", 5/32", 3/16", 7/32", 1/4", 9/32" and 5/16"
 2 steel punches: 1/16" and 3/32"
 2 Plastic Punches: 15/64" & 3/8"

● **Gun Smithing Hammer** ▼



9921503

● **9-Piece Punch Set in plastic case** ▼



9921509

7 brass punches: 1/8", 1/16", 3/32", 5/32", 3/16", 7/32", 1/4"
 2 steel punches: 9/32" and 5/16"



9996001



9921523

9921517

● **Locksmith Tool** ▲

(φ0.25"X15")
9993542A



(φ0.21"X15")
9993542B



(φ0.25"X13")
9993542C



(φ0.21"X13")
9993542D



(φ0.22"X15")
9993507



(φ0.25"X11")
9993542G



(φ0.21"X11")
9993542H



(φ0.25"X8.5")
9993542E



(φ0.21"X8.5")
9993542F



9993501

● Trigger Lock ▲



9993508

● Cipher Lock ▲



◀ Cable Lock

- This cable gun locking system is designed to help you to keep your firearm stored in a safe condition.
- Universal design compatible with most long rifles and pistols
- Hardened steel alloy construction ensures maximum strength and security
- Easy installation

Cleaning Brushes

Sturdy & thorough durability

Phosphor Bronze Brush for rifle/pistol

Item no : U2632B (in US style)

E2632B (in Euro style)

Caliber available: .22cal/.243cal/.270/
.30cal/.32cal/.38cal/.357cal/.40cal/.45cal



Tornado/Spiral steel brush for rifle/pistol

Item no : U2832S (in US style)

E2832S(in Euro style)

caliber available: .22cal/.243cal/.270/
.30cal/.32cal/.38cal/.357cal/.40cal/.45cal



Nylon bore brush for rifle/pistol

Item no : U2232N(in US style)

E2232N(in Euro style)

caliber available: .22cal/.243cal/.270/
.30cal/.32cal/.38cal/.357cal/.40cal/.45cal



Cotton mop for rifle/pistol

Item no: U2932C(in US style)

E2932C(in Euro style)

caliber available: .22cal/.243cal/.270/
.30cal/.32cal/.38cal/.357cal/.40cal/.45cal



Phosphor Bronze Brush for shotgun

Item no :U2616B (in US style) E2616B (in Euro style)

Caliber available:410ga/28ga/20ga/16ga/12ga/10ga



Spiral steel brush for shotgun

Item no : U2816S (in US style) E2816S(in Euro style)

Caliber available:410ga/28ga/20ga/16ga/12ga/10ga



Nylon/Bristle bore brush for shotgun

Item no : U2216N(in US style) E2216N(in Euro style)

Caliber available:410ga/28ga/20ga/16ga/12ga/10ga



Cotton mop for shotgun

Item no : U2916N(in US style) E2916N(in Euro style)

Caliber available:410ga/28ga/20ga/16ga/12ga/10ga



Cleaning Brushes & Rods

Cleaning brushes with rings for rifles and pistol

Material optional : Phosphor bronze brush/brass brush/
steel brush/bristle brush /cotton mop

Caliber available: .45cal/.40cal/.38cal/9mm/.357cal/8mm/.32cal/5.6mm/.22cal/4.5mm/.17cal



Double-ended cleaning brush

Material optional: Phosphor bronze brush/brass brush/
stainless steel brush/nylon brush

Item No	DESCRIPTION
2302760	Nylon 2 in 1 OD Green Utility Brush (Double-ended)
2322760	Stainless Steel 2 in 1 OD Green Utility Brush (Double-ended)
2332760	Phosphor Bronze 2 in 1 OD Green Utility Brush (Double-ended)
2342760	Brass 2 in 1 OD Green Utility Brush (Double-ended)



Item No	DESCRIPTION
2302761	Nylon Utility Brush
2322761	Stainless Steel Utility Brush
2332761	Phosphor Bronze Utility Brush
2342761	Brass Utility Brush



Handy cleaning tool for all types of guns or maintenance chores

Solid cleaning rods in 3-pieces set

Material optional: Steel /Brass/ Aluminum/
Plastic covered steel rods

Size optional: 4mm/5mm/6mm/7mm



Item no:
9301202(steel rod) 9301505(aluminum rod)
9301606(brass rod) 9301303(plastic-covered steel rod)



Item no:
9301212(steel rod) 9301515(aluminum rod)
9301616(brass rod)



Item no:
9302005(pistol aluminum rod)
9302006(pistol brass rod)

Cleaning Kit Set For Shotgun

Free combination of brush and rods at your choice

Cleaning kits for shotgun in plastic box

caliber available:410ga/28ga/20ga/16ga/12ga

Brushes optional: cotton mop/nylon brush/phosphor bronze brush/steel spiral brush

3-piece set cleaning rods optional: Brass rod/aluminum rod/plastic-covered steel rods

Item no: S9307603(with 3-piece plastic-covered rod)

S9307605(with 3-piece aluminum rod)

S9307606(with 3-piece brass rod)



Cleaning Kit Set For Pistol & Rifle

Free combination of brushes and rods at your choice

Pocket kit with **Rotating Rods** for Pistol

Caliber available:.22cal/.30cal/.35cal/.40cal/.45cal etc

Brushes optional: cotton mop/nylon brush/

phosphor bronze brush/steel spiral brush

Brass rod/Aluminum rod (Size 5mm Length :90mm+100mm)

Item no: P9305115 (with aluminum rod)

P9305116 (with brass rod)



Pocket kit with **Rotating Steel Cable** for Rifle

Caliber available:.22cal/.30cal/.35cal/.38cal/.40cal/.45cal etc

Steel cable with T-rod (90cm steel cable)

Brushes optional: cotton mop/nylon brush/

phosphor bronze brush/steel spiral brush

Item no: R9306507



R9306516



M16/AR-15 Butt-Stock Cleaning Kit

This kits fits right into the back end of the stock. It contains a .223 cal. T-handle, .223 cal. rod sections, .223 adaptor, .223 patch loop, .223 bore brush & .223 chamber brush. Also, double-ended gun brush, 1/2 ounce oiler and water-proof triangle pouch are available.

R9306515



M16/AR-15 Cleaning Kit

This kits contains a .223 cal. T-handle, .223 cal. rod sections, .223 adaptor, .223 patch loop, .223 bore brush & .223 chamber brush. Also, double-ended gun brush, 1/2 ounce oiler, cotton patches, clip and tactical pouch are available.

R9306539



AR-308 Cleaning Kit

This kits contains a .30 cal. T-handle, .30 cal. rod sections, .30 patch loop, .30 bore brush & .30 chamber brush. Also, double-ended gun brush, 1/2 ounce oiler, cotton patches, clip and tactical pouch are available, special for 7.62mm caliber AR-308 only.

R9306548



AK-47 Cleaning Kit

This kits contains a .30 cal. T-handle, .30 cal. rod sections, .30 patch loop, .30 bore brush & .30 chamber brush. Also, double-ended gun brush, 1/2 ounce oiler, cotton patches, clip and tactical pouch are available, special for 7.62mm caliber AK-47 only.



This kits contains a .30 cal.T-handle, .30 cal. rod sections, .30 patch loop, .30 bore brush & .30 chamber brush. Also, double-ended gun brush,1/2 ounce oiler, cotton patches, clip and tactical pouch are available, special for 7.62mm caliber FN-FAL only.



Universal Cleaning Kits

Perfect for hunter and shooter



Universal cleaning kits set in aluminum box

Details of this set: 1) A universal T-handle

2) 3pcs of 5mm brass rod & 3pcs of 4mm brass rod

3) 10pcs of phosphor bronze brush for 10/12ga,20/28ga,410ga,
.45cal,.40cal,.38cal/9mm),.17cal,.30cal,270/280cal,.22cal

4) 5pcs of cotton mop for 10/12ga,20/28ga,410ga,.38cal,.22cal.

5) 3ps of brass accessory adaptor

6) cotton patches

Item no: U9309206 (with brass rod)

U9309207(with aluminum rod)



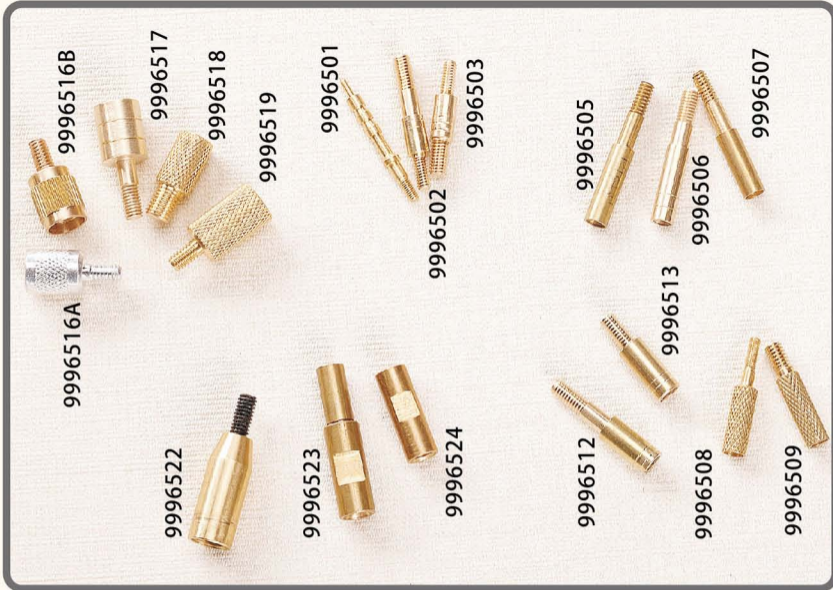
● Re-useable Brass / Brass-chromed Snap Cap for Shotgun ▲

Patches / Cloth / Cleaning Pad ▼

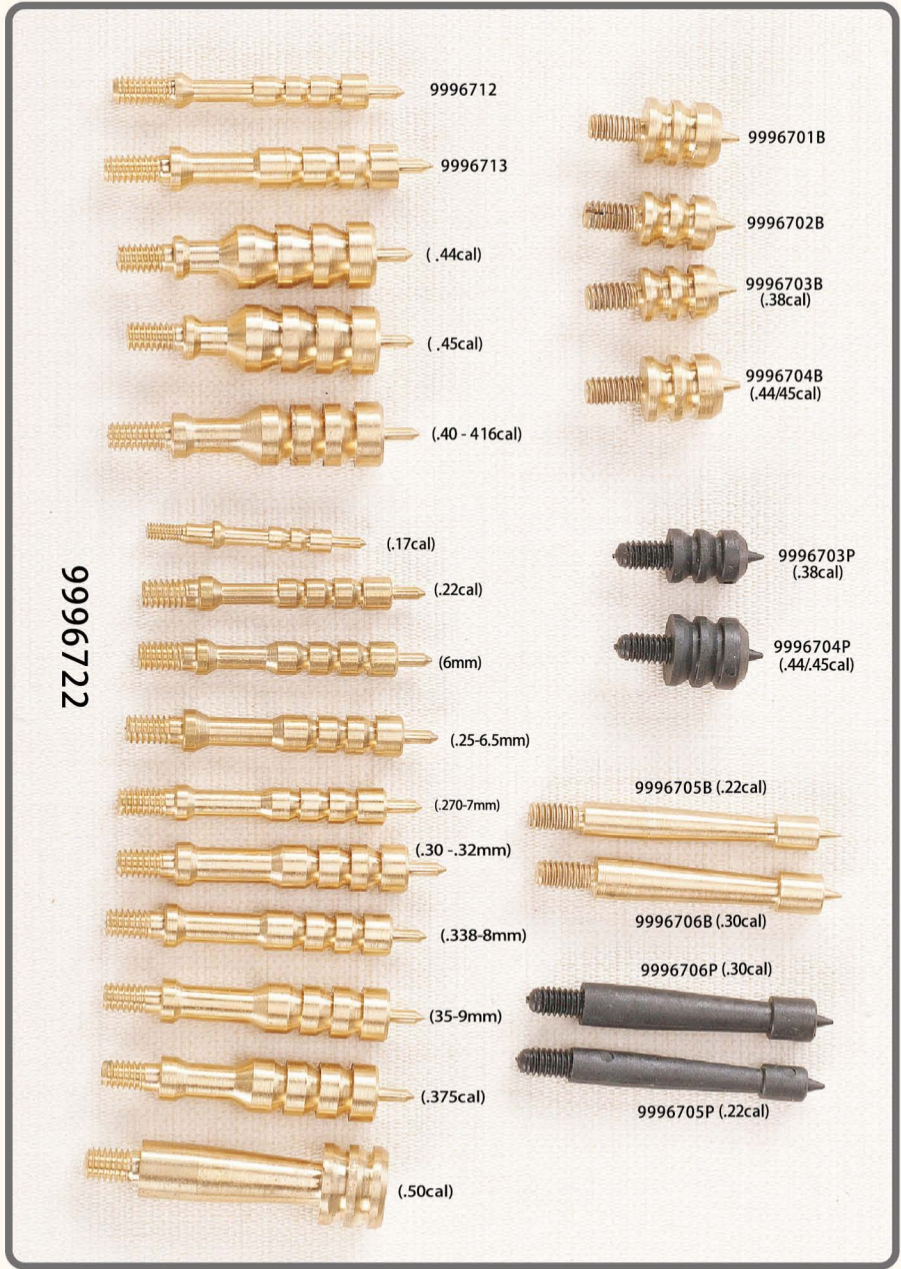




● Brass & Plastic Patch Loop for Pistol / Rifle / Shotgun ▲



● Brass & Aluminum Adaptor With Male & Female Thread ▲



● Brass & Plastic Jags for Pistol / Rifle / Shotgun ▲



CHENXi

[Http://www.chenxioutdoor.com](http://www.chenxioutdoor.com)

